

Opus 39 Dynamic Microphone



FEATURES

- Supercardioid polar pattern
- Excellent isolation from unwanted sound
- Flat, wide range frequency response for uncoloured sound reproduction
- Rugged construction

APPLICATIONS

The Opus 39 is a high quality dynamic vocal microphone recommended for hand-held or stand-mounted use by gigging vocalists. It features extremely high gain-before-feedback characteristics, and its ability to withstand high sound pressure levels make it suitable for close miking of musical instruments or speaker cabinets.

VERSIONS

Opus 39	Dynamic microphone, supercardioid, incl. MKV 8 mic clamp	Order # 463.426
Opus 39 S	same as above, but with ON/OFF-switch	Order # 463.434

SUPPLIED ACCESSORIES

MKV 108	Microphone clamp for stands with 3/8" or 5/8" thread	Order # 465.429
---------	--	-----------------

OPTIONAL ACCESSORIES

GST 400	Microphone stand 3/8", height 0.90-1.65 m with G 400 boom	Order # 421.294
GST 500	Microphone stand 3/8", height 0.80-1.60 m with extensible G 500 boom.	Order # 406.252
PS 20/40	Pop screen, charcoal-grey	Order # 437.972
BMC 05 FM BLK	Microphone cable XLR-XLR, length 5 m	Order # 434.787
BMC 10 FM BLK	Microphone cable XLR-XLR, length 10 m	Order # 434.795

Germany

Theresienstr. 8
D-74072 Heilbronn
Tel. +49 (0)71 31 / 6 17-0
Fax +49 (0)71 31 / 617-224
E-mail: info@beyerdynamic.de
Internet: www.beyerdynamic.de

United States

56 Central Ave.
Farmingdale, NY 11735
Tel. +1 (631) 293-3200
Fax +1 (631) 293-3288
E-mail: salesUSA@beyerdynamic.com
Internet: www.beyerdynamic.com

Great Britain

17 Albert Drive
Burgess Hill RH15 9TN
Tel. +44 (0)1444 / 258 258
Fax +44 (0)1444 / 258 444
E-mail: sales@beyerdynamic.co.uk
Internet: www.beyerdynamic.co.uk

TECHNICAL SPECIFICATIONS

Transducer type	Dynamic
Operating principle	Pressure gradient
Frequency response:	
Close miking	50 - 16,000 Hz
Distant miking	100 - 14,000 Hz (measured at 1 m)
Polar pattern	Supercardioid
Rear attenuation at 1 kHz	> 20 dB at 135°
Open circuit voltage at 1 kHz	3 mV/Pa
Nominal impedance	600 Ω
Load impedance	1 kΩ
Connection	3-pin XLR male
Dimensions	Length: 179 mm
	Shaft diameter: 25/33 mm
	Head diameter: 45 mm
Weight without cable	310 g

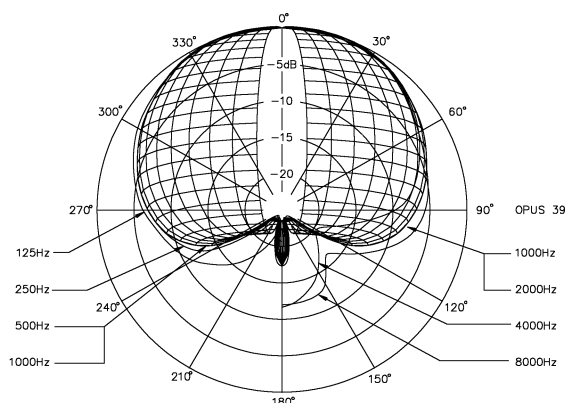
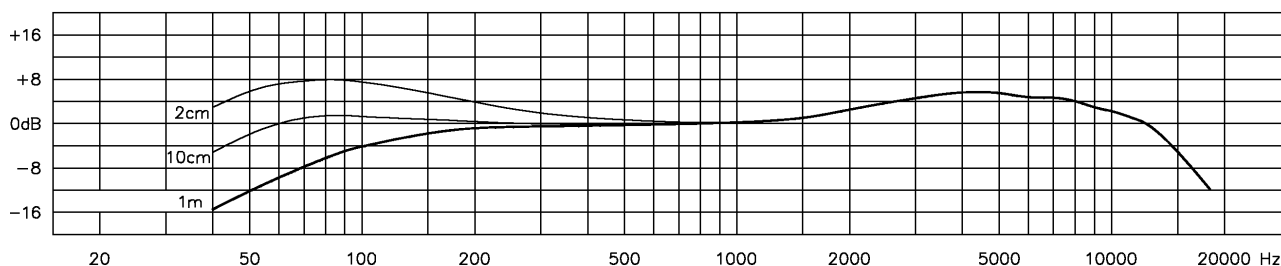
FREQUENCY RESPONSE & POLAR PATTERN

This polar pattern and frequency response curve (measuring distance ± 2.5 dB) correspond to a typical production sample for this microphone.

Frequency response ± 2.5 dB

0 dB $\hat{=}$ 3 mV/Pa

Opus 39



WIRING DIAGRAM

Positive pressure produces positive voltage on pin 2.

