

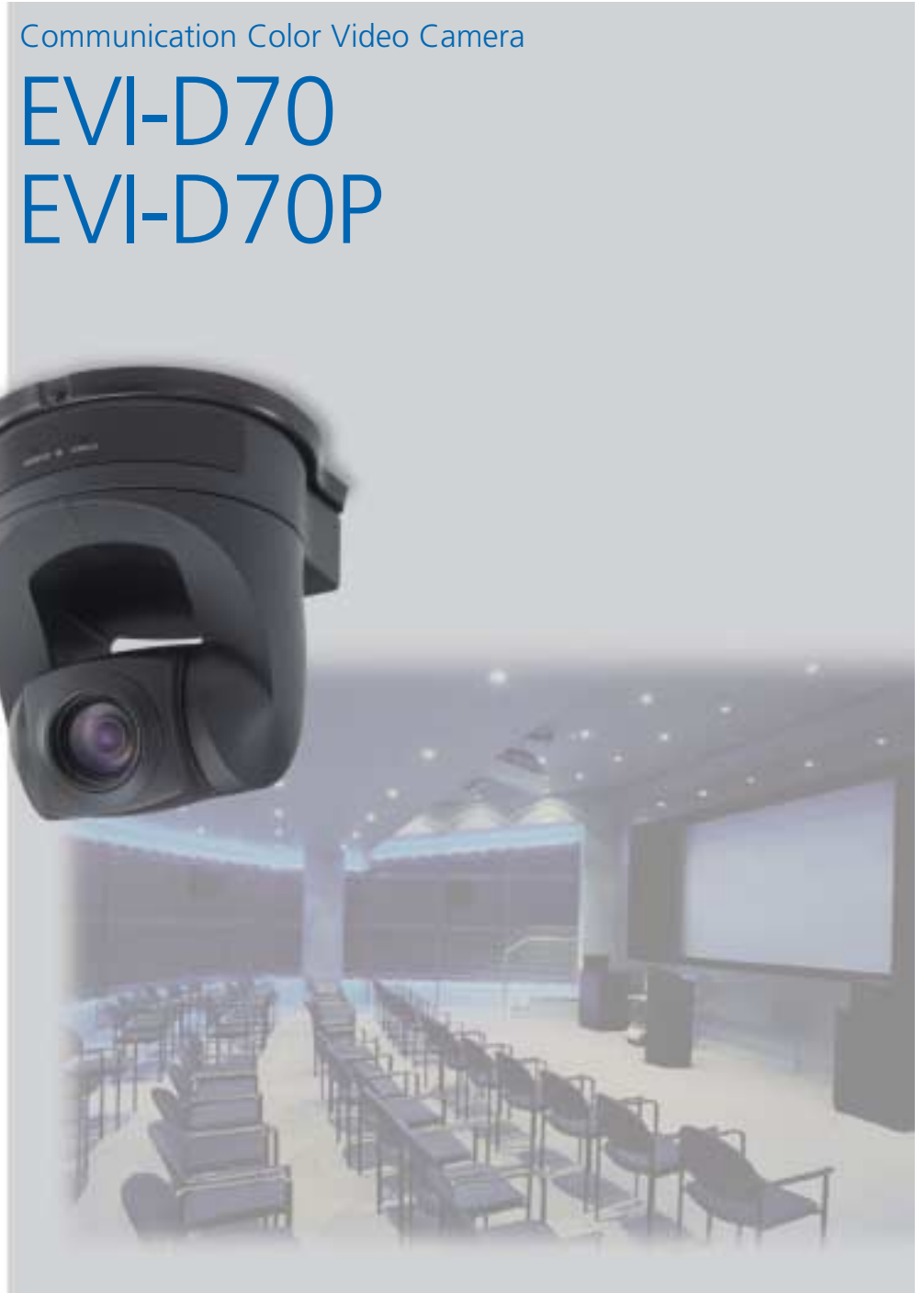
# SONY®

Component/OEM

Communication Color Video Camera

## EVI-D70

## EVI-D70P



## FEATURES

# Sony's New Pan/Tilt/Zoom Remote Camera - Captures Every Scene

Sony continues to add choice and flexibility to its industry-leading pan/tilt/zoom camera lineup with the introduction of the Sony EVI-D70 and EVI-D70P color video cameras. The EVI-D70 and EVI-D70P combine a high-quality color video camera with the flexibility of remote pan/tilt/zoom operation, all in a compact easy-to-use package. Incorporating an 18x optical zoom lens, these cameras allow a user to zoom in on a small or distant object with exceptional clarity. Compared to their predecessor, the EVI-D30/D31, EVI-D70 and EVI-D70P cameras offer a wider pan/tilt range, and a faster pan/tilt mechanism. Above all, these cameras are ceiling mountable - a first for Sony's popular EVI cameras.

The EVI-D70 and EVI-D70P are also equipped with a variety of convenient features such as an Auto ICR function, Alarm function and RS-232C/422 serial control, making them ideal for any remote-shooting applications such as distance learning, places of worship, courtrooms, event venues, concert halls, and more.



### 216x Zoom Ratio (18x Optical, 12x Digital)

### Wide-Range, High-Speed Pan/Tilt

- Pan angle: -170° to +170°  
(max. pan speed: 100°/s)
- Tilt angle: -30° to +90°  
(max. tilt speed: 90°/s)

### Superb Picture Quality With EXview HAD CCD™

- Minimum illumination: 1 lx
- Horizontal resolution:  
470 TV lines (EVI-D70)  
460 TV lines (EVI-D70P)

### Ceiling-Mount or Desktop Installation

### RS-232C or RS-422 Serial Control (VISCA™ Command)

### Auto ICR Function

### Alarm Function

### Auto Power-Off/Night Power-Off Function

### Daisy Chain Capability (Up to Seven Cameras)

### Six-Position Preset

### Multi-Function IR Remote Commander® Unit

### EVI-D30/D31 Emulation Mode

## Superb Picture Quality with EXview HAD CCD

The adoption of Sony EXview HAD CCD technology improves basic camera performance. For example, these cameras offer superb sensitivity of 1 lx (typical), and a low smear level and D-range. (see Fig. 1)

## RS-232C or RS-422 Serial Control (VISCA Command)

All camera settings and pan/tilt/zoom functions can be controlled remotely via a PC. With the RS-232C connection, maximum cable length can be extended to 15 m (50 feet), while the RS-422 connection extends this further to 1200 m (4000 feet).

## Auto ICR (IR Cut filter Removal) Function Fig. 2

The Auto ICR function automatically switches the settings to attach or remove the IR Cut filter for increased sensitivity. With a set level of darkness, the IR Cut filter is automatically disabled (ICR ON), and the infrared sensitivity is increased. With a set level of brightness, the filter is automatically enabled (ICR OFF). The ICR automatically engages depending on the ambient light, allowing the cameras to be effective both in day and night environments.

## Alarm Function and AE Spot Setting

The EVI-D70/D70P cameras provide an alarm function that can detect changes within a user-designated area of an image.\* When a change in AF, AE or both is detected, these cameras output an alarm trigger signal to the external equipment via the VISCA protocol. In combination with the Spot AE function, these cameras also detect changes in the luminance level, and they output an alarm signal. The detecting area can be applied to any of 16 vertical and 16 horizontal blocks. (see Fig. 3)

\*Using any of the pan/tilt/zoom functions will disable the alarm.



Rear Panel

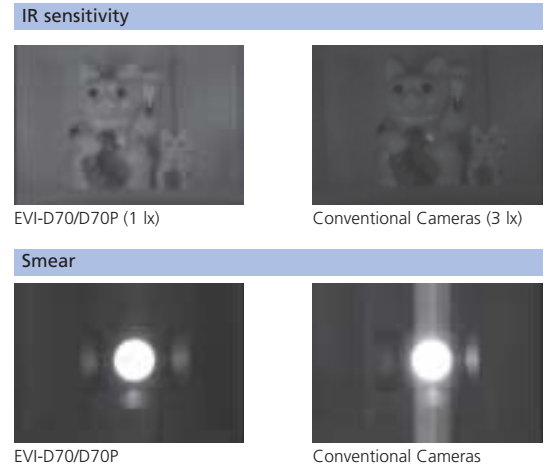


Fig. 1 Comparison: IR Sensitivity and Smear

## When auto slow shutter is on

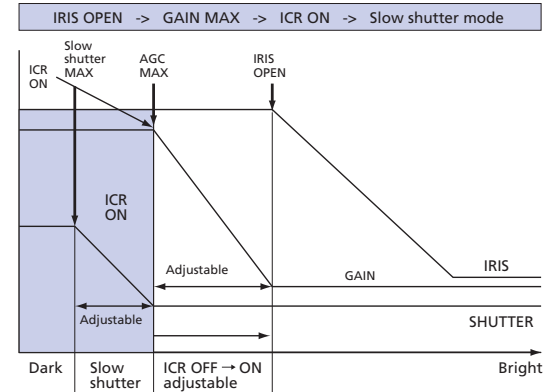


Fig. 2 Auto ICR

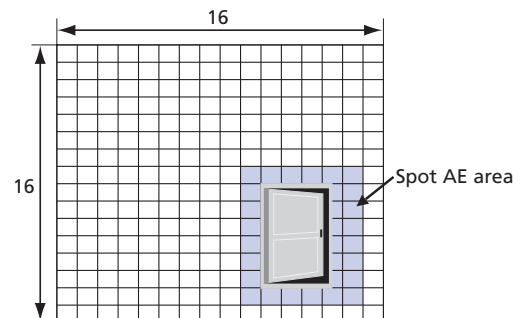
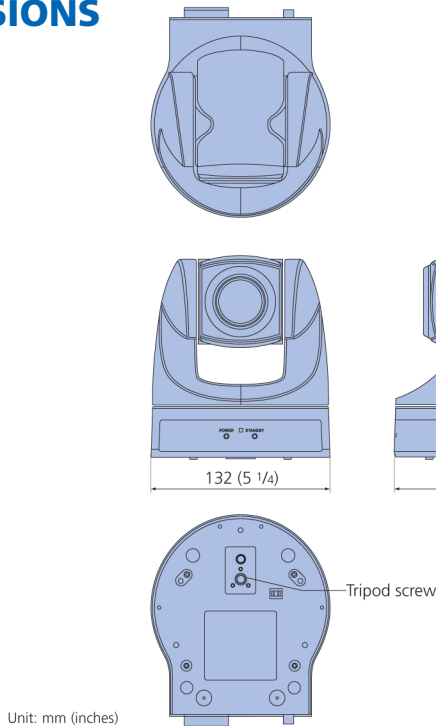


Fig. 3 AE Spot Setting

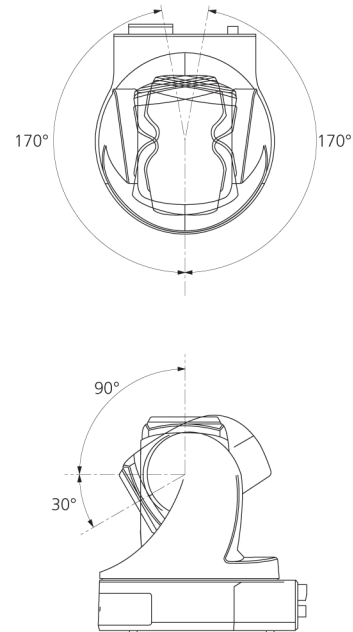
# SPECIFICATIONS

	EVI-D70	EVI-D70P
Signal system	NTSC	PAL
Image sensor	1/4-type EXview HAD CCD	
Number of effective pixels (H x V)	768 x 494	752 x 582
Horizontal resolution	470 TV lines (wide end)	460 TV lines (wide end)
Lens	18x zoom, f=4.1 mm (wide) to 73.8 mm (tele), F1.4 to F3.0	
Horizontal angle of view	2.7° (tele end) to 48° (wide end)	
Minimum object distance	10 mm (wide end), 800 mm (tele end)	
Minimum illumination	1 lx (F1.4)	
Auto exposure	Auto/Manual/Priority AE, Exposure compensation, Back-light compensation	
Shutter speed	1 to 1/10,000 s	
Gain	Auto/Manual (-3 to +28 dB, 2 dB steps)	
White balance	Auto/ATW/Indoor/Outdoor/One push/Manual	
S/N ratio	More than 50 dB	
Pan/tilt	Pan: ±170° (Max. speed: 100°/s), Tilt: -30° to +90° (Max. speed: 90°/s)	
Position preset	6 positions	
Picture effect	Neg. Art, Black & White	
Video output	VBS, Y/C	
Control terminal	RS-232C (8-pin mini DIN) control (VISCA)/RS-422 (9-pin) control (VISCA), baud rate: 9.6 Kb/s, 38.4 Kb/s	
Power requirement	DC 10.8 to 13.2 V	
Power consumption	12 W	
Operating temperature	0 to 40 °C (32 to 40 °F)	
Storage temperature	-20 to +60 °C (-4 to +140 °F)	
Dimensions (W x H x D)	132 x 144 x 144 mm (5 1/4 x 5 3/4 x 5 3/4 inches)	
Mass	950 g (2 lb 2 oz)	
Supplied accessories	AC adaptor, IR remote commander unit, Ceiling bracket, Operating instructions	

## DIMENSIONS



## PAN/TILT RANGE



### Distributed by

<http://www.hanvitmc.com>  
<http://www.hanvitmc.co.kr>

©2003 Sony Corporation. All rights reserved.

Reproduction in whole or in part without written permission is prohibited. Design, features, and specifications are subject to change without notice. All non-metric weights and measurements are approximate. Sony, EXview HAD CCD, VISCA and Remote Commander are trademarks of Sony Corporation.

MK10053V1IW03SEP

Printed in Japan on recycled paper